

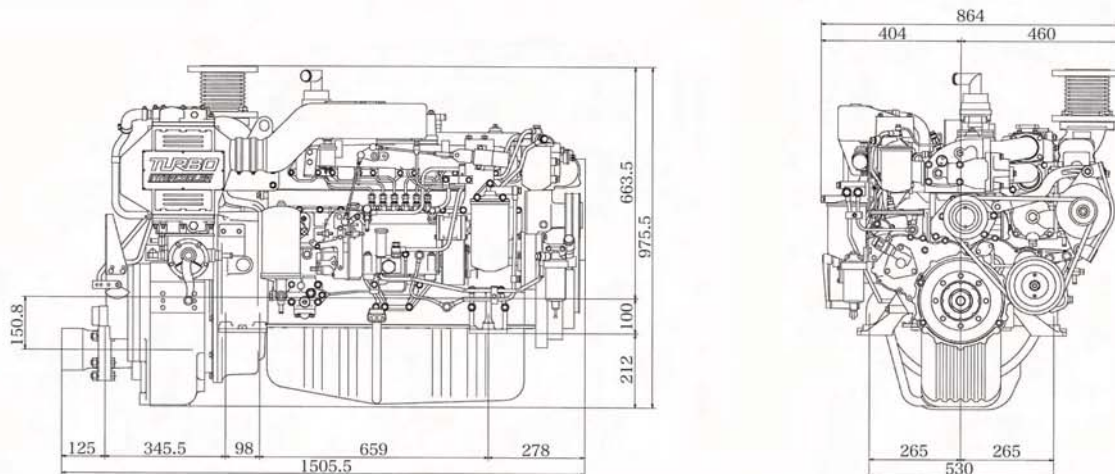
UM6BG1TCX

ISUZU

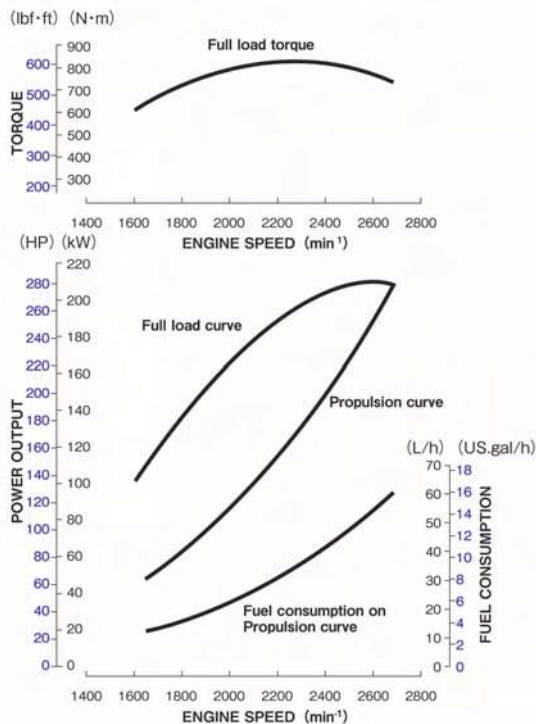
ISUZU MOTORS ENGINE SALES INC.

UM6BG1TCX

DIMENSIONS (mm)



PERFORMANCE CURVES



ENGINE SPECIFICATIONS

Configuration	6-cylinder, vertical in-line, 4-cycle diesel engine		
Bore x Stroke	mm (in)	105x125(4.13x4.92)	
Displacement	Lit. (cid)	6.494 (396)	
Rated output	kW(PS)/min ⁻¹	Medium duty	191 (260)/2600
		Light duty	210(285)/2700
Application	Commercial use		
Governor type	Mechanical		
Combustion type	Direct injection		
Aspiration	Turbo charged / Intercooler		
Exhaust gas status	IMO Tier II		
Engine weight	kg (lb)	Engine	645(1,422)
		with MGN40E	814(1,795)
Fuel used	Diesel fuel		
Starter	V-KW	24 - 4.5	
Alternator	V-A	24 - 40	
Lubrication method	Full flow pressure circulation		
Cooling method	Freshwater, full flow pressure circulation (Seawater, indirect)		
Heat exchanger (seawater circulation)	Multi-tube type (freshwater→seawater)		
Intercooler	Multi tube type (seawater circulation)		
Rotation direction	Crankshaft	Right (clockwise) viewed from front of engine	
	Propeller shaft	Right (clockwise) viewed from stern	
Idling speed	min ⁻¹	550	
Marine gear	Marine Gear Model	MGN40E	
	Clutch type	Wet, Multi-plate hydraulic type	
	Reverse type	Constant-mesh type gear	
	Reduction ratio	1.94, 2.33, 2.91, 3.45	

Specifications subject to change without notice

ACCESSORIES

Standard

- Installation kit
- Kingston valve
- Battery relay
- Extension harness (5m)
- Seawater pump impeller *
- Bilge pump
- Control head
- Instrument panel
- Oil drain pump
- Blow-by pipe
- V-belt *
- Tool kit
- Owner's manual

* spare parts

Option

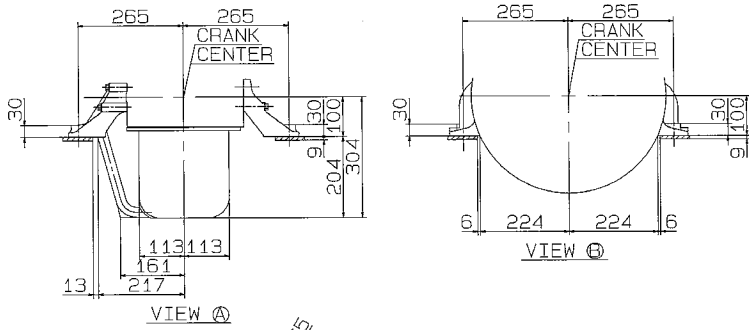
- Extension harness (5m)
- Control cable (4m,6m,10m,12m)
- Stop cable (4m,6m,8m)

ISUZU MOTORS ENGINE SALES INC.

<http://www.isuzumarine.co.jp>

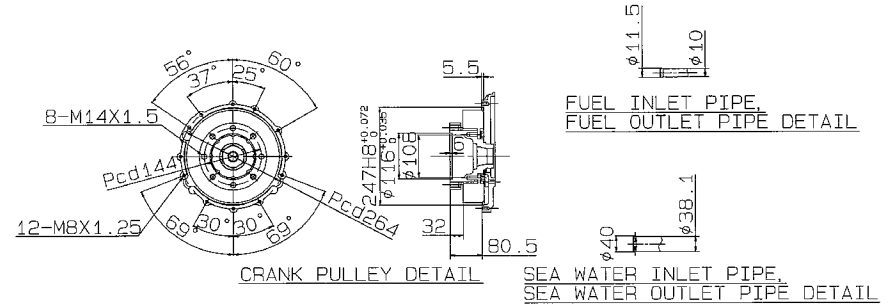
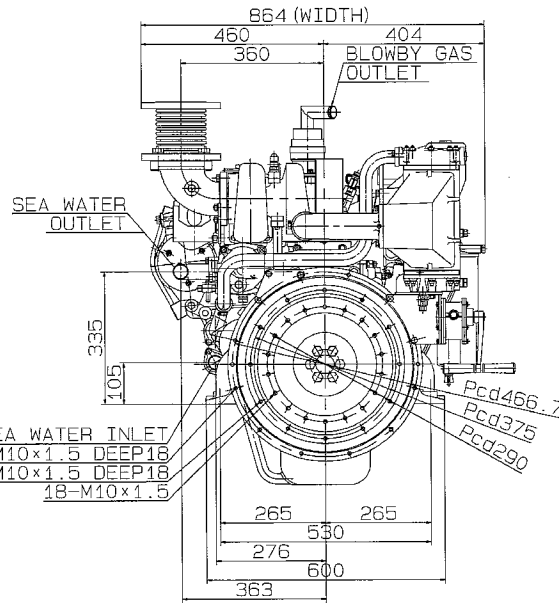
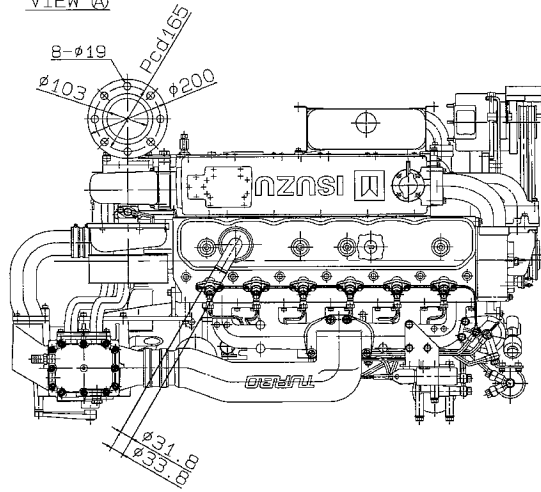
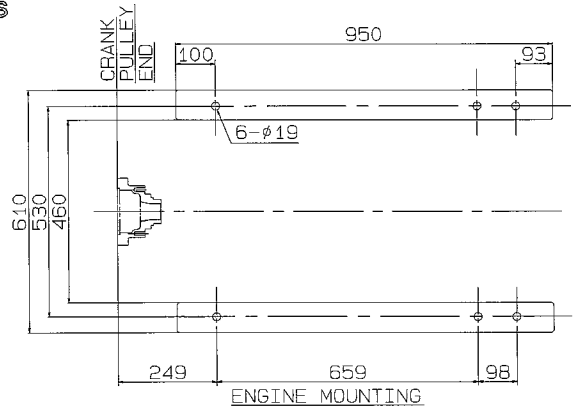


ISUZU UM6BG1TCX DIESEL ENGINE GEAR LESS



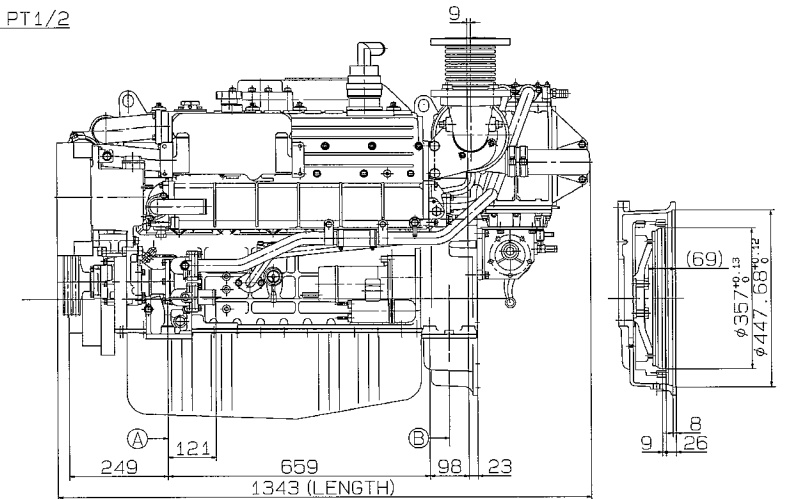
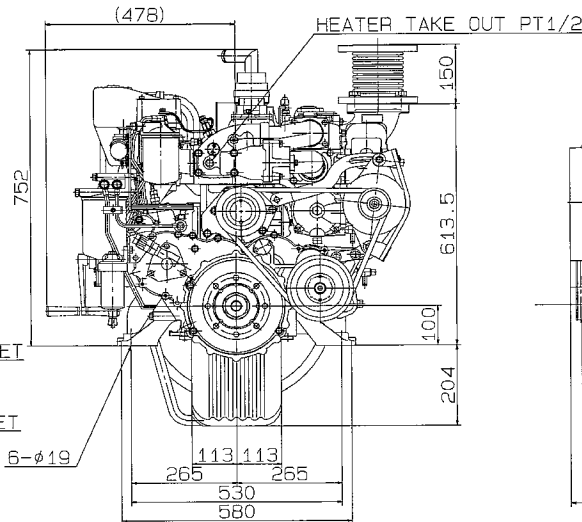
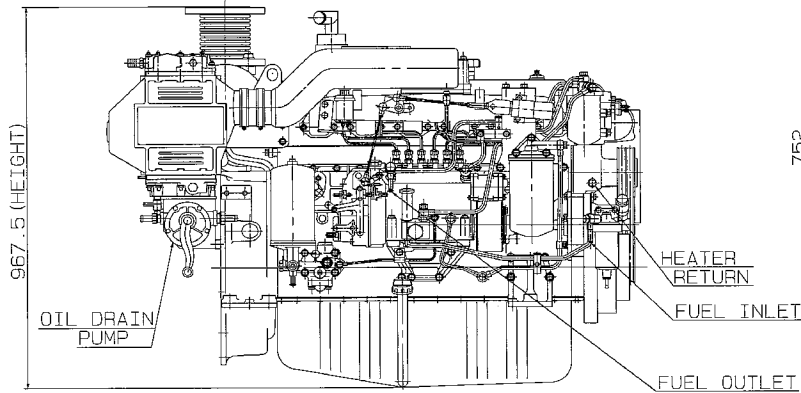
VIEW A

VIEW B



CRANK PULLEY DETAIL

SEA WATER INLET PIPE, SEA WATER OUTLET PIPE DETAIL



ISUZU UM6BG1TCX DIESEL ENGINE MGN40E-1A

